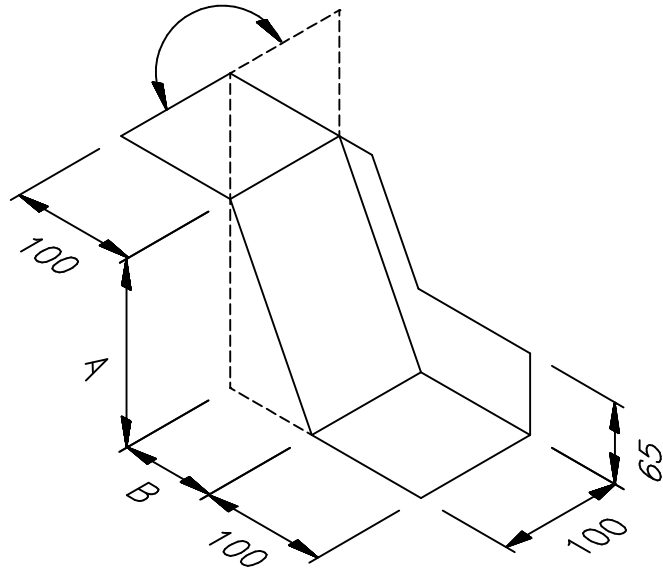


FAX BACK ON 0845 226 3186



R.H STOP END BRICK/BLOCK

A =	
B =	
Qty Required	

DO NOT SCALE USE FIGURED DIMENSIONS ONLY



P.O. Box 186  
Ware SG12 7ZT  
Tel: 07976 842113

Contact Name		Project Name Delivery Address
Contact Number		
Date Required		
Customer O/No.		