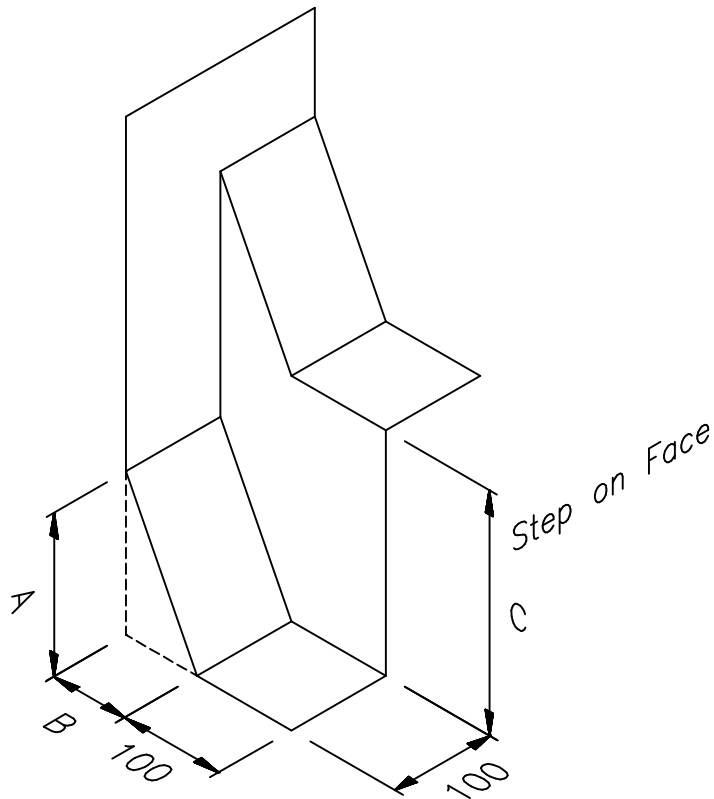


FAX BACK ON 0845 226 3186



CHANGE OF LEVEL SURFACE FIX
AS DRAWN RIGHT HAND

A =	
B =	
C =	
Qty Required	

DO NOT SCALE USE FIGURED DIMENSIONS ONLY



P.O. Box 186
Ware SG12 7ZT
Tel: 07976 842113

Contact Name		Project Name Delivery Address
Contact Number		
Date Required		
Customer O/No.		