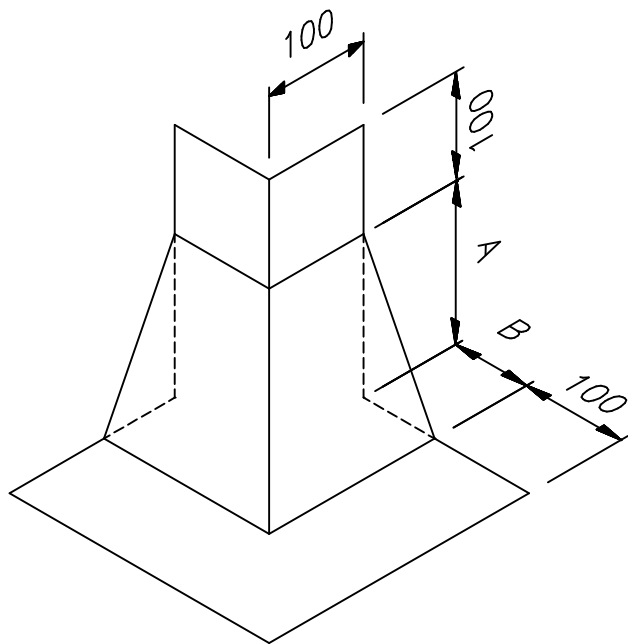


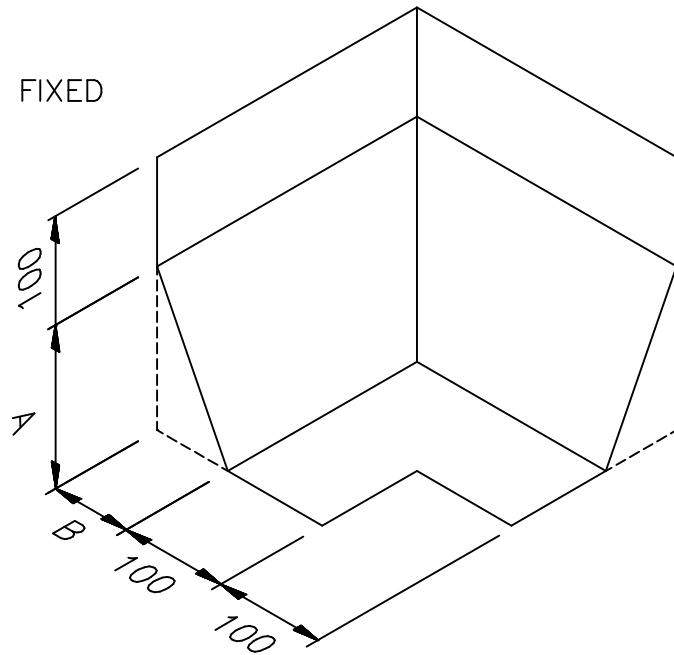
FAX BACK ON 0845 226 3186



A =	
B =	
Qty Required	

90°EXT CORNER SURFACE FIXED

A =	
B =	
Qty Required	



90°INT CORNER SURFACE FIXED

DO NOT SCALE USE FIGURED DIMENSIONS ONLY



P.O. Box 186
Ware SG12 7ZT
Tel: 07976 842113

Contact Name	
Contact Number	
Date Required	
Customer O/No.	

Project Name
Delivery Address