

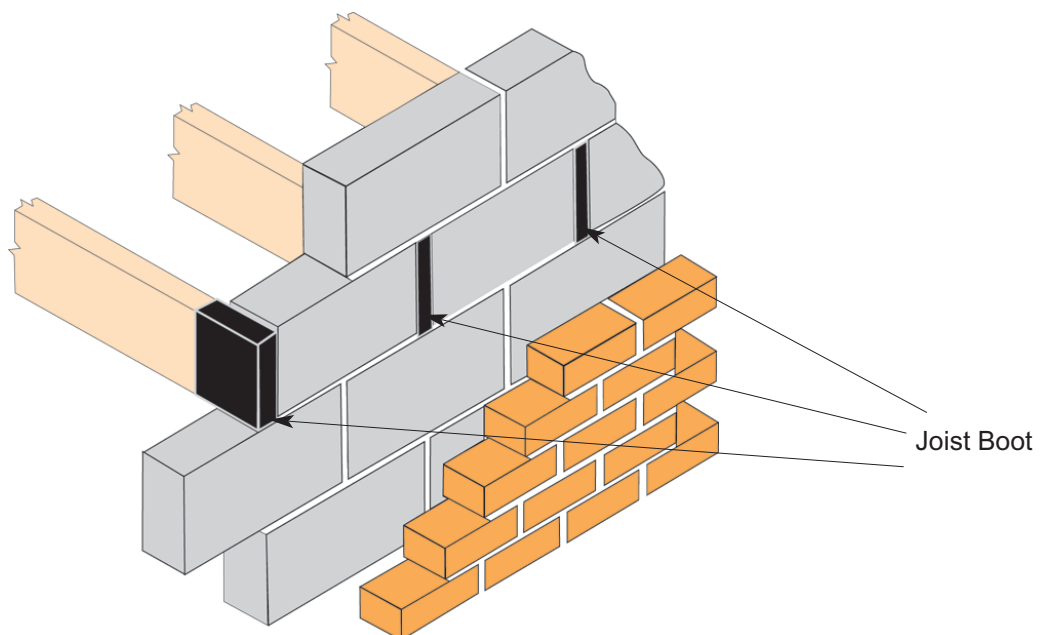
High Performance Preformed Joist Boots

Preformed Joist Boots are manufactured from a high performance flexible polymeric dpc material. They are high frequency welded and electronically tested at seams to ensure integrity.

Joist Boots are available in standard sizes from stock or can be made to suit any timber size required. In refurbishment work they eliminate the use of joist hangers. They can be supported by the wall plate, or placed directly onto the inner blockwork, thereby protecting the joist ends from absorbing moisture.

Joist Boots

- Suitable for new build & refurbishments.
- Easy to install.
- Specials available to suit odd sizes.
- Range of standard sizes and profiles.
- Fast delivery.



Method of application

Where new timbers are used the joist boot is simply placed on the joist end and laid directly onto either the wallplate or blockwork. When used in refurbishment work ensure that degraded parts of the joist ends are removed and replaced before reinstatement.