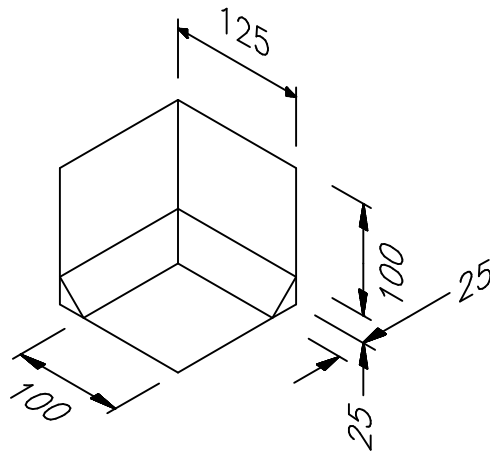
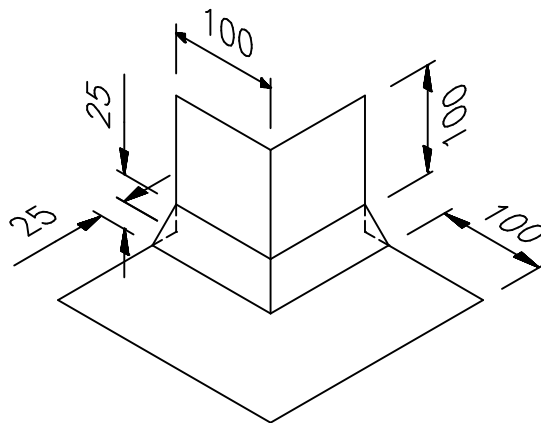


FAX BACK ON 0845 226 3186



INTERNAL CORNER WITH FILLET



EXT CORNER WITH FILLET

DO NOT SCALE USE FIGURED DIMENSIONS ONLY



P.O. Box 186  
Ware SG12 7ZT  
Tel: 07976 842113

Contact Name	
Contact Number	
Date Required	
Customer O/No.	

Project Name
Delivery Address