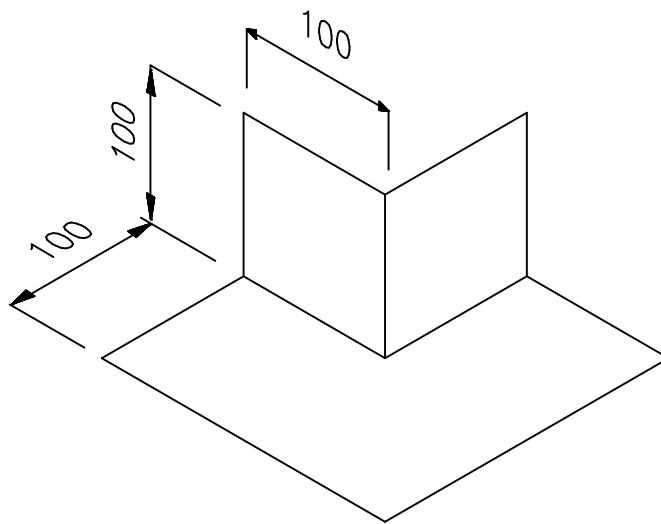
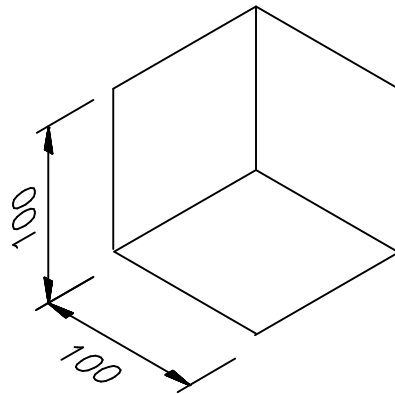


FAX BACK ON 0845 226 3186



INTERNAL & EXTERNAL CORNERS FOR TANKING DETAILS

DO NOT SCALE USE FIGURED DIMENSIONS ONLY



P.O. Box 186
Ware SG12 7ZT
Tel: 07976 842113

Contact Name	
Contact Number	
Date Required	
Customer O/No.	

Project Name
Delivery Address