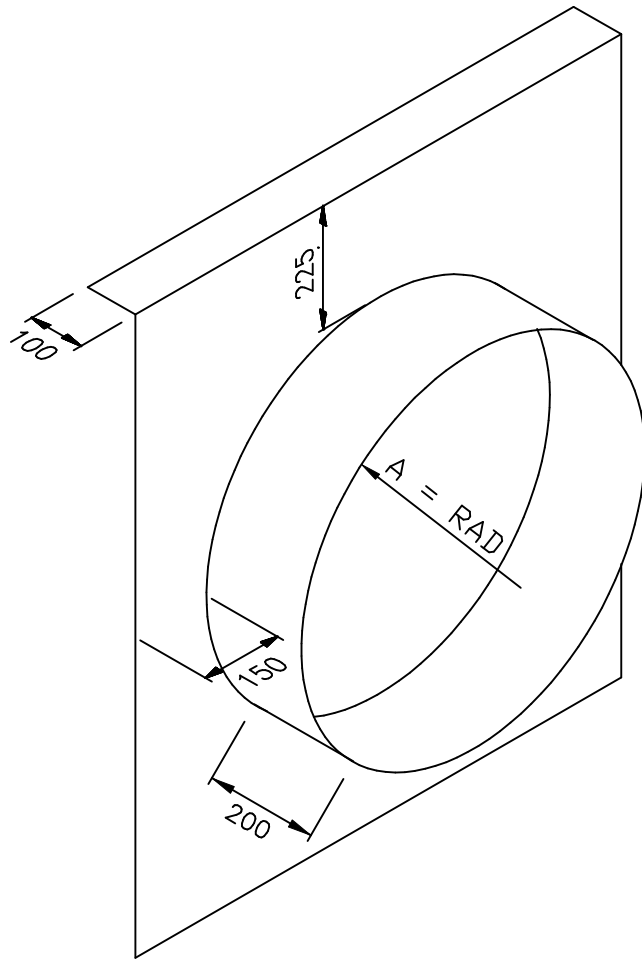


FAX BACK ON 0845 226 3186



BULLNOSE WINDOW DETAIL

A =	
Qty Required	

DO NOT SCALE USE FIGURED DIMENSIONS ONLY



P.O. Box 186
 Ware SG12 7ZT
 Tel: 07976 842113

Contact Name	
Contact Number	
Date Required	
Customer O/No.	

Project Name
Delivery Address